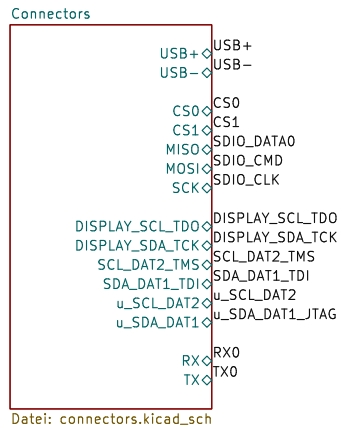
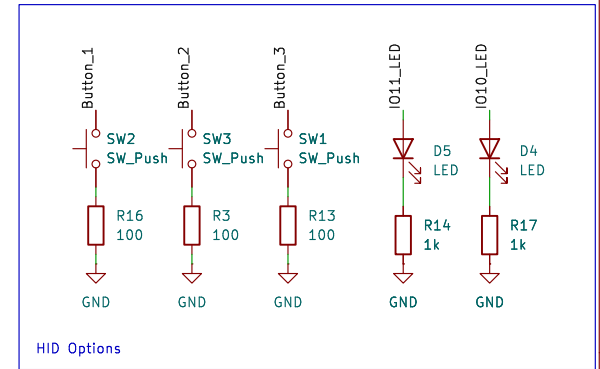
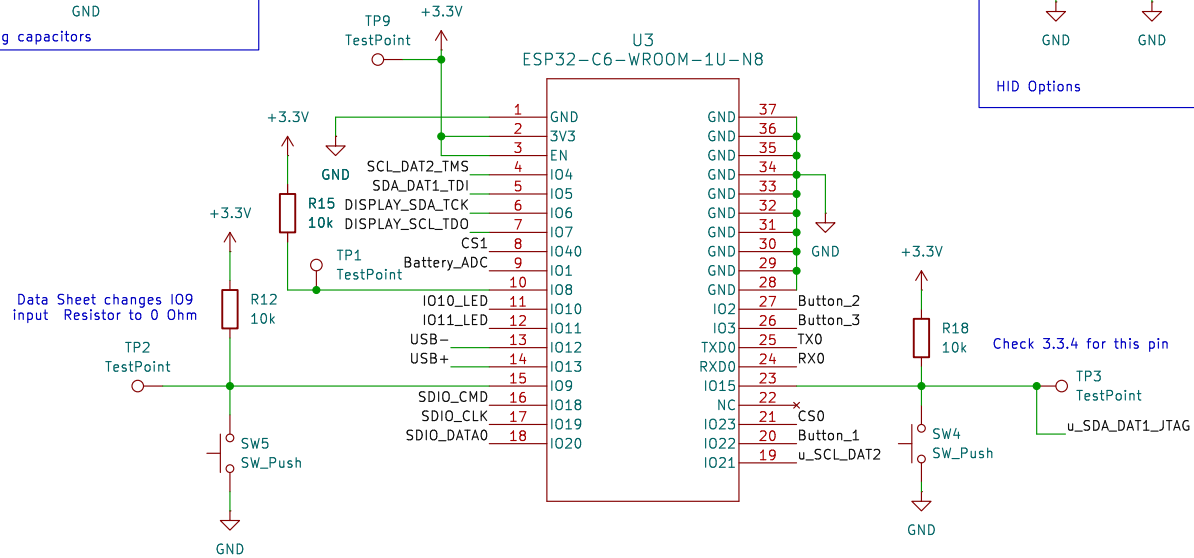


Check 7.0.0 for layout references

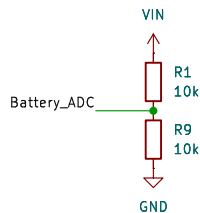


Date: connectors.kicad_sch

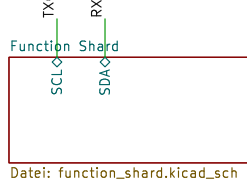


Data Sheet changes IO9 input Resistor to 0 Ohm

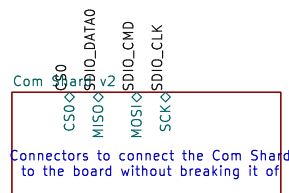
Check 3.3.4 for this pin



This is only for production!
This Breakout board hasn't any function but jlc won't be able to recognize them as different PCBs



Date: function_shard.kicad_sch



Date: com_shard_v2.kicad_sch

Note: We don't have proper SDMMC support, only SPI mode on the C6
<https://docs.espressif.com/projects/esp-idf/en/stable/esp32c6/api-reference/storage/sdmmc.html#emmc-support>

mdafelmair

Sheet: /
File: mainboard.kicad_sch

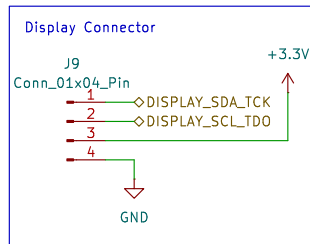
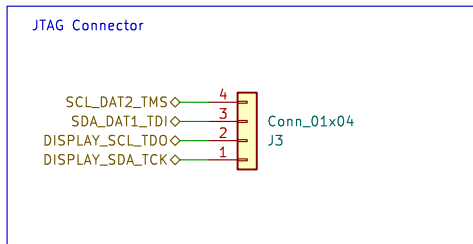
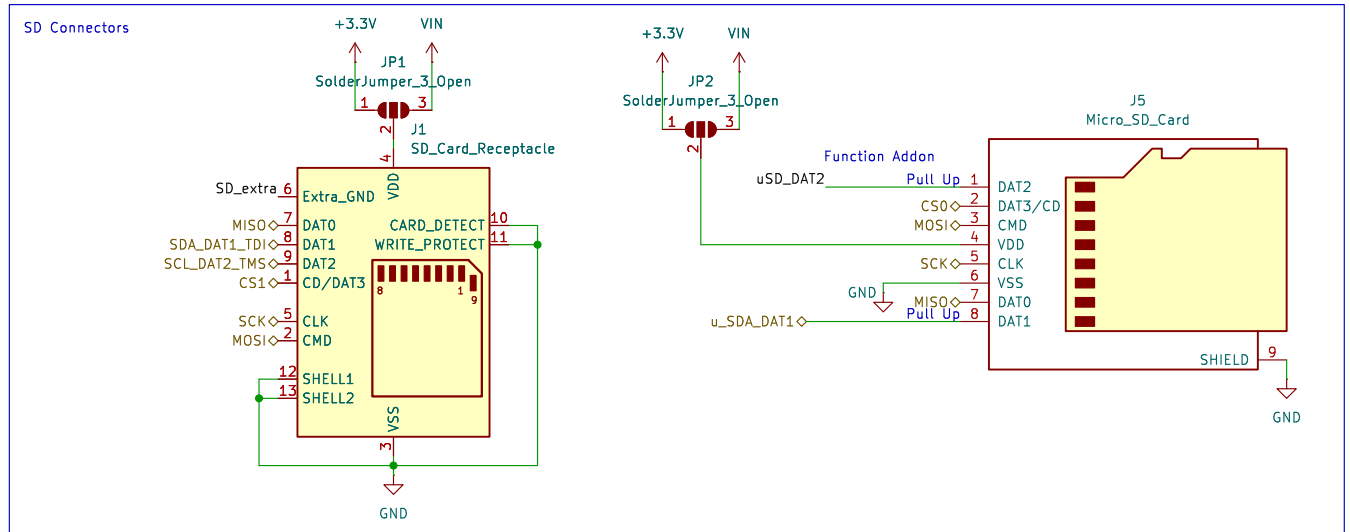
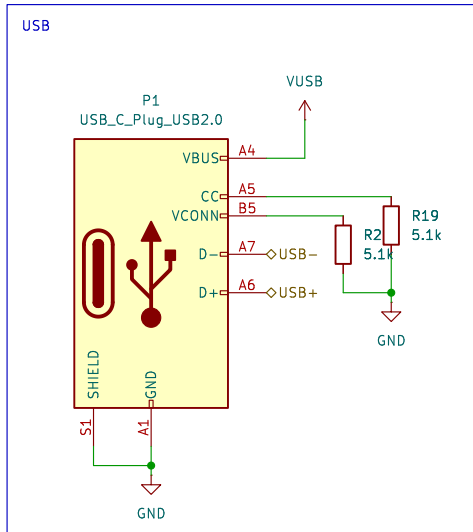
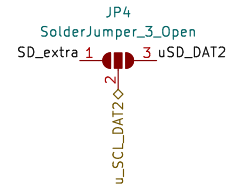
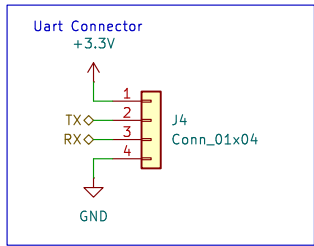
Title: 39C3 Cyberwatch - Mainboard

Size: A4 Date: 2025-11-27

KiCad E.D.A. 9.0.6

Rev: V1.0

Id: 1/5



mdafelmair

Sheet: /Connectors/
File: connectors.kicad_sch

Title: 39C3 Cyberwatch - Connectors

Size: A4 Date: 2025-11-27

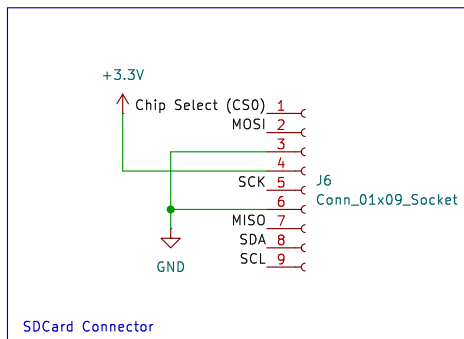
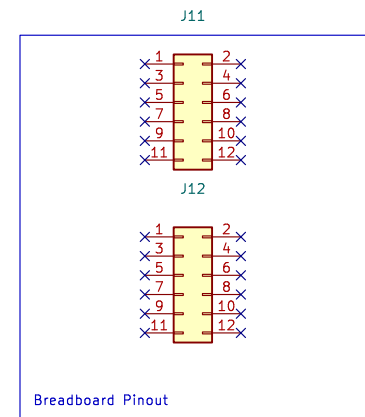
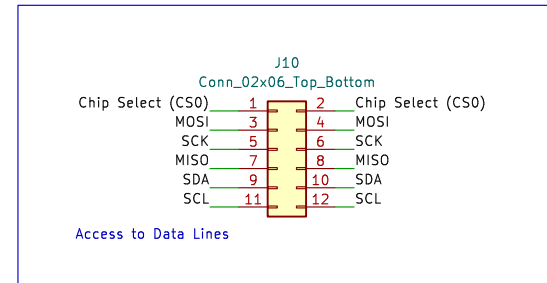
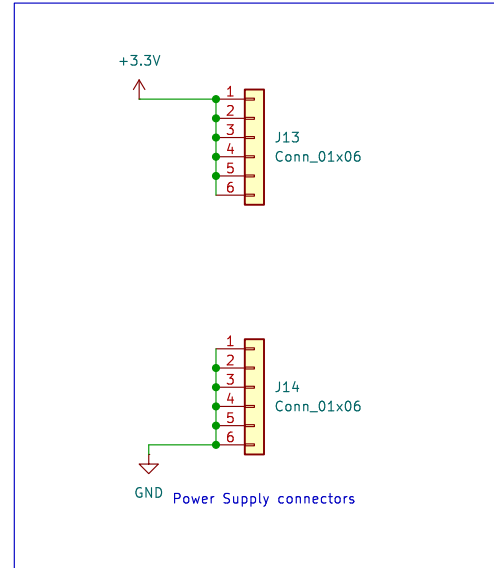
KiCad E.D.A. 9.0.6

Rev: V1.0

Id: 2/5

SDA  SDA
 SCL  SCL

For Production Purpose



mdafelmair

Sheet: /Function Shard/

File: function_shard.kicad_sch

Title: 39C3 Cyberwatch – Breadboard Shard

Size: A4

Date: 2025-11-27

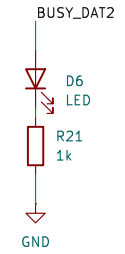
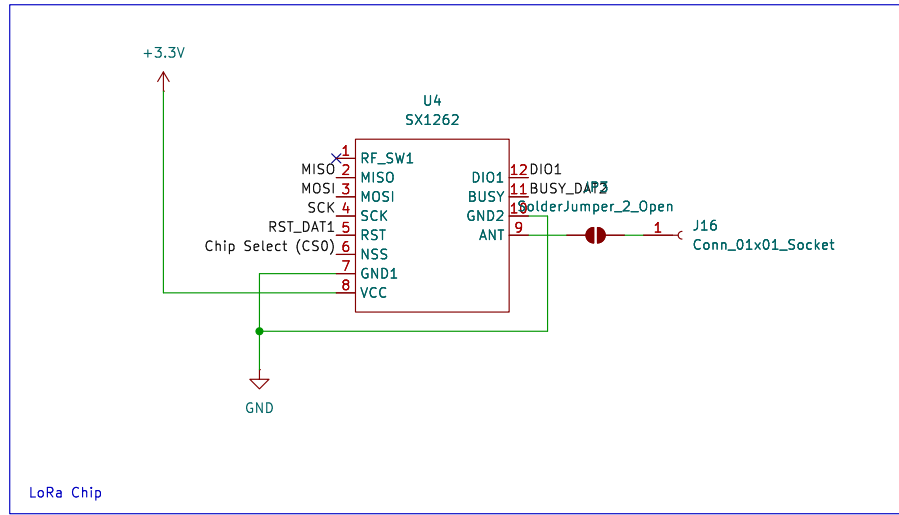
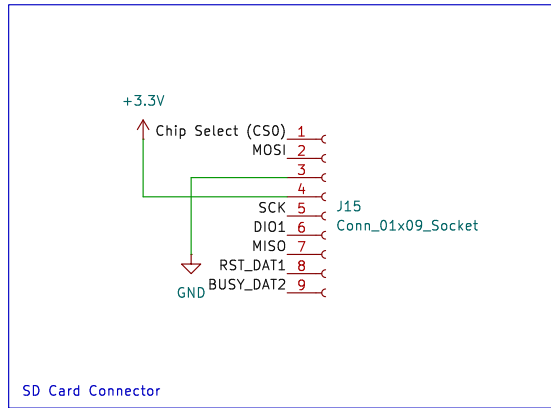
Rev: V1.0

KiCad E.D.A. 9.0.6

Id: 5/5

MISO → MISO
 MOSI → MOSI
 SCK → SCK
 Chip Select (CS0) → CS0

For Production Purpose



mdafelmair		
Sheet: /Com Shard v2/		
File: com_shard_v2.kicad_sch		
Title: 39C3 Cyberwatch – LoRa Shard v2		
Size: A4	Date: 2025-11-27	Rev: V1.0
KiCad E.D.A. 9.0.6		Id: 6/5